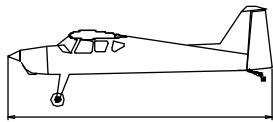


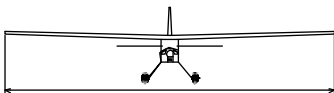
Rebelové Aero



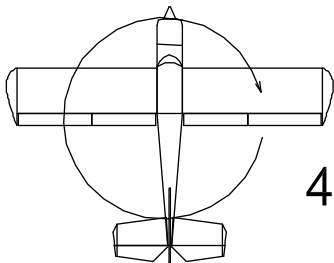
Order N°: 02030



1640 mm



1740 mm

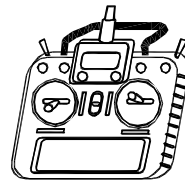


62dm²
48,4-53,2g/dm²



3-3,3kg

Radio system you'll need :



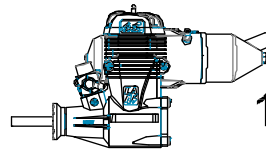
- ailerons - 2 servos
- elevator
- rudder
- motor



Dualsky XM5060EA-10 V3



5-6S LiPo 2,7 - 4Ah



10-15ccm



NACA 64A014

Není-li uvedeno jinak, všechny
neoznačené míry jsou v milimetrech
UNLES STATED, ALL DIMENSIONS
ARE IN MILIMETERS

Manufactured by:

TOPMODEL CZ

679 05 HABRŮVKA 100 - CZECH REPUBLIC

www.topmodelcz.com

e-mail:info@topmodelcz.cz

Part #	Part name	Material/dimensions	Loose	In bag	
	building instruction		01		
1	fuselage	balsa assembly	01		02030-1ARF
5	canopy frame	balsa assembly	05		02030-1ARC
1-1	motor mount set				02030-MMS
1-1A	motor mount	fiberglass 4mm		01	
1-1B	motor mount	fiberglass 4mm		01	
1-1C	spacer	dural Ø8		04	
1-1D	screw	M4x8		08	
1-1E	screw	M4x16		04	
1-1F	washer	steel Ø12x4		04	
1-1G	nut	M4		04	
1-2	servo tray	plywood 4x35x94mm		01	02030-1-2
1-3	battery tray	plywood 4x55x220mm		01	02030-1-3
2	wing	balsa assembly	02		02030-2ARF
2-1	aileron	balsa	02		02030-2ARC
2-21	centering pin	fiberglass Ø5x30mm		02	FIBP-5x30
2-23	hook	steel Ø3mm		02	0205719400886
2-5	aileron pushrod	steel Ø1,7mm		02	1312141.1
2-6	clevis	clevis M2 steel, nut M2 steel		02+02	
2-8	aileron horn	fiberglass plate 1,5mm		02	05016
24	wing joiner	Alu tube Ø20x560mm		01	02030-24
3	horizontal stabilizer	balsa assembly	01		02030-3ARF 02030-3ARC
3-3	elevator joiner	steel Ø3mm		01	02030-3-3
3-5	elevator link	steel Ø1,7mm		01	1312141.1
3-6	clevis	clevis M2 steel, nut M2 steel		01+01	
3-8	elevator horn	fiberglass plate 1,5mm		01	05016
4	fin	balsa assembly	01		02030-4ARF 02030-4ARC
4-5	rudder link	steel Ø1,7mm		01	1312141.1
4-6	clevis	clevis M2 steel, nut M2 steel		01+01	
4-8	rudder horn	fiberglass plate 1,5mm		01	05016
5-1	centering pin	fiberglass Ø4x20mm		02	FIBP-4x20
5-2	canopy frame screw	plastic M3x12		02	2905
5-3	canopy frame nut	Al M3		02	1004 AL
551	cockpit interior	paper	01		02030-551
6	canopy	plastic	01		02030-6
7	stickers		01		1.7.2030
8	wheel	Ø63		02	2MO219320
8-2	wheel axle	steel Ø4		02	2870 SZ
8-3	wheel color	Al Ø9/4		02	2811 AL
9	engine cowl	fiberglass	01		02030-7N
9-1	engine cowl support	wood 7x15x15mm		05	02029-9-1
9-2	engine cowl fixing	screw Ø2,9x9,5		05	0202995
9-5	throttle linkage	tube Ø3/2 x 340mm		01	M2O1000
		tube Ø2/1 x 430mm		01	M2V1000
		steel Ø0,8mm x 430mm		01	DO1508
9-6	clevis	nut M2 steel, clevis M2 steel		01+01	0102 SZ 1312141
9-7	threaded coupler	M2 brass		02	2012 BR
9-8	ball link	M2 brass/plastic		01	2408
10	landing gear	Al 3mm	01		02029-101
10-2	landing gear fixing	screw M4x16, washer, nut		03+06+03	020SC316
					0703 SZ
					0132 SZ
10-5	tailwheel	steel/plastic, wheel Ø28mm		01	02029-103
10-6	tailwheel fixing	screw Ø2,2x9,5mm		02	0512 SZ
11	pinned hinge	plastic 16x32mm		17	2502

RECOMMENDED EQUIPMENT					
		Pieces			Item No. www.topmodelcz.cz
transmitter	5 channel				
receiver	min 5 channel				
servo	SC-0254MG	4	for ailerons & rudder & elevator		1SV2304
	HS-322 HD	1	for throttle		1H13065
motor	Dualsky XM5060EA-10 V3	1			
controller	≥80A	1			3707
sphinner	Ø57 + propeller adaptor	1			8KU10043 + 4706
propeller	Graup E prop 15/8	1	for 5S LIPo		1326.15x8
	APC 14/7E		for 6S LIPo		APC14070E
battery	5 - 6S LIPo	1			

ATTENTION!

This model construction kit is not a toy and is not suitable for children under the age of 14. Incorrect use of this model could cause material damage or personal injury.

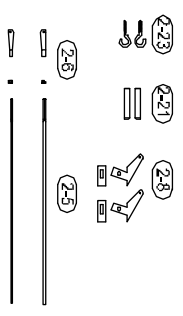
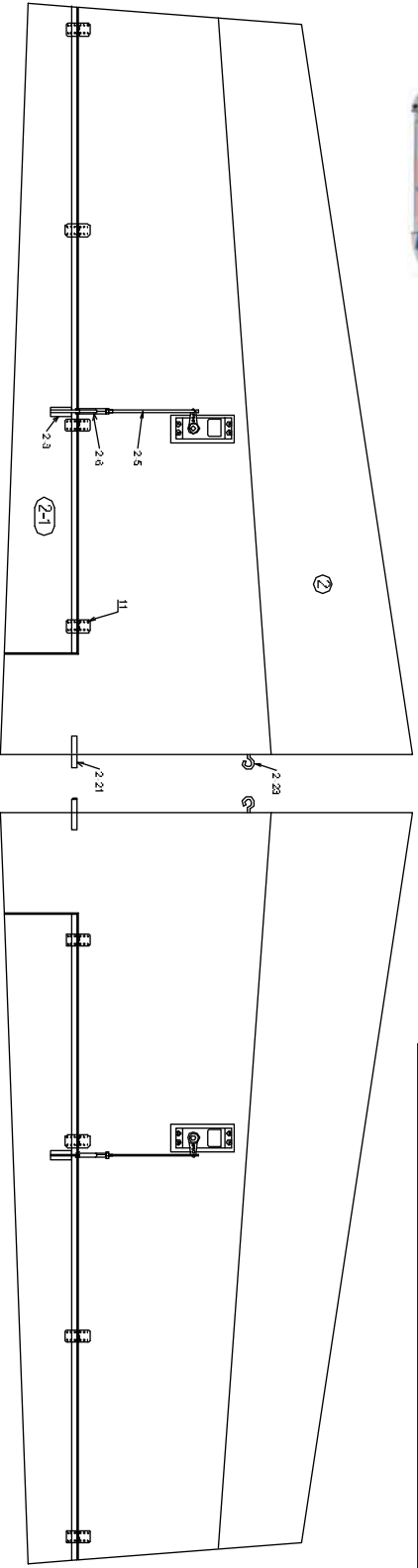
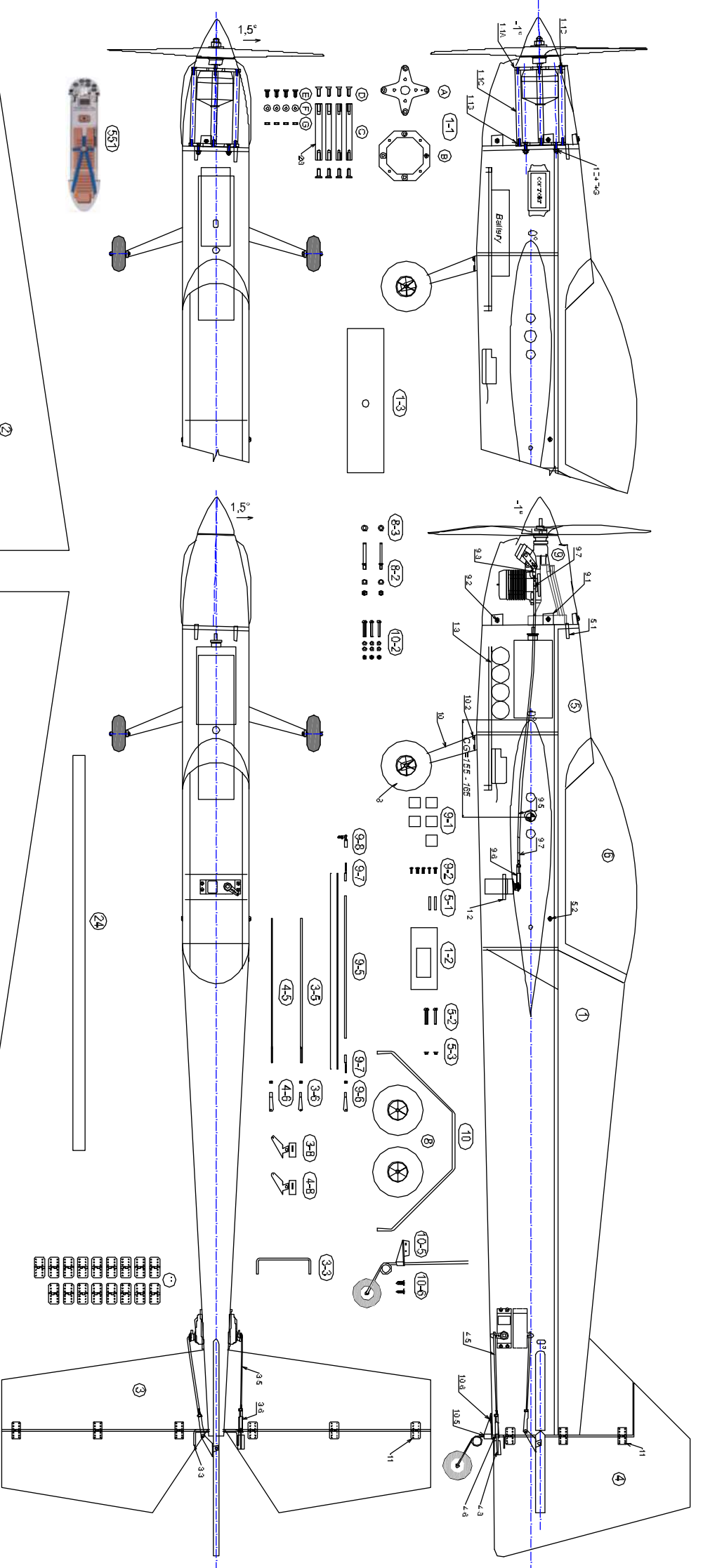
You are fully responsible for your actions when you use this model.

Fly at a safe distance from occupied zones.

Before switching on the radio, be sure, that no one else is using the same frequency as you !

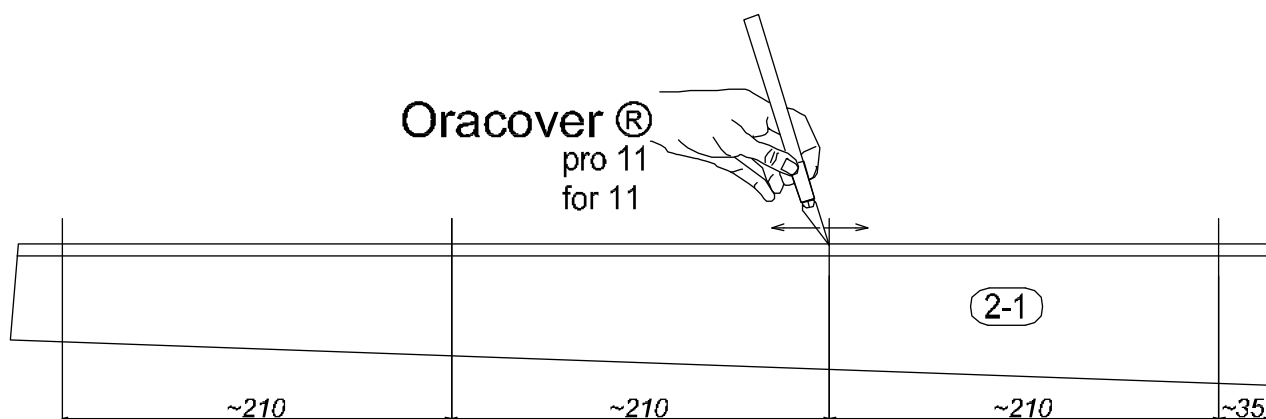
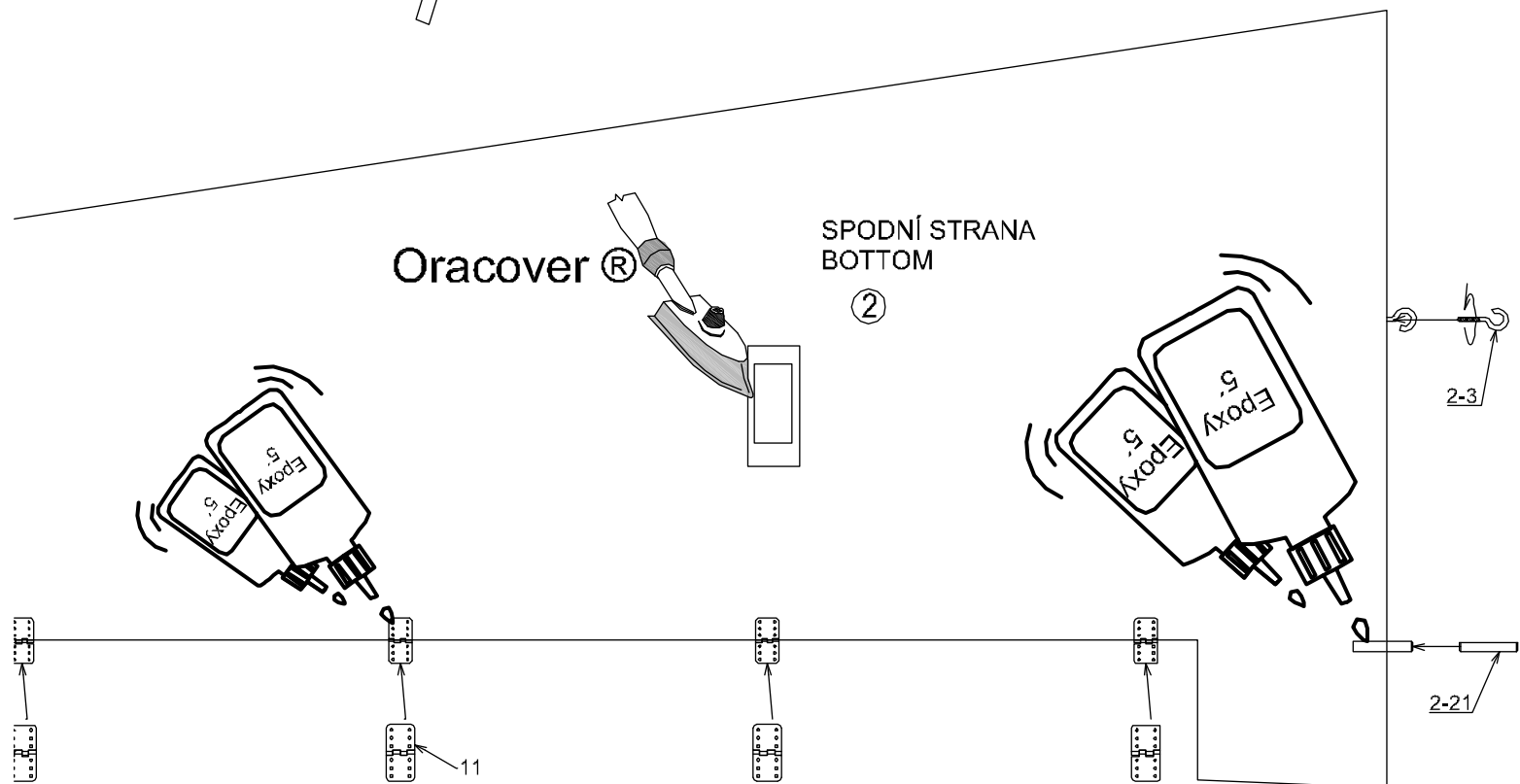
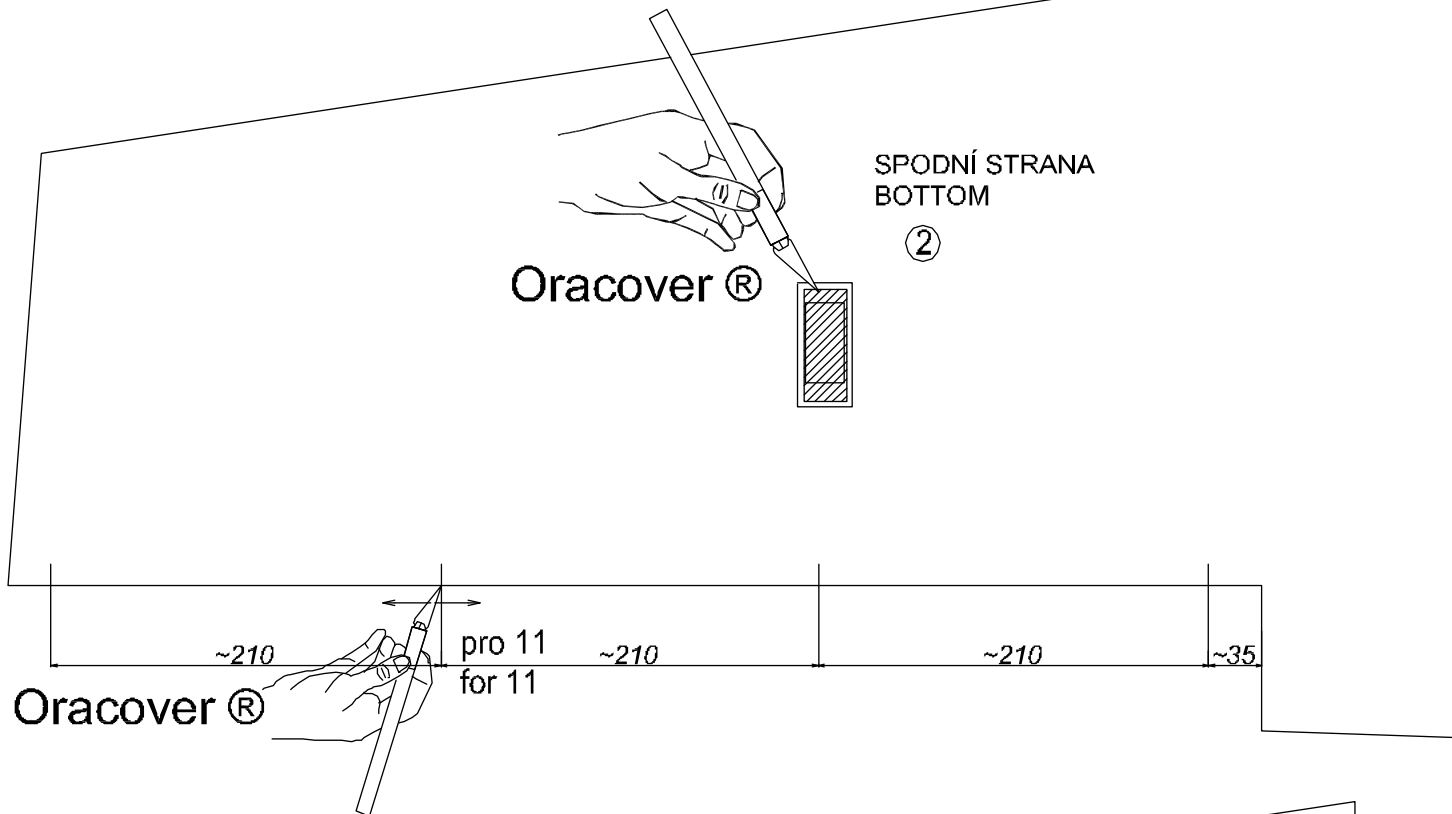
Before first take-off check up please the center of gravity, the sense and size of the control surface angle and if model aeroplane parts aren't crooked.

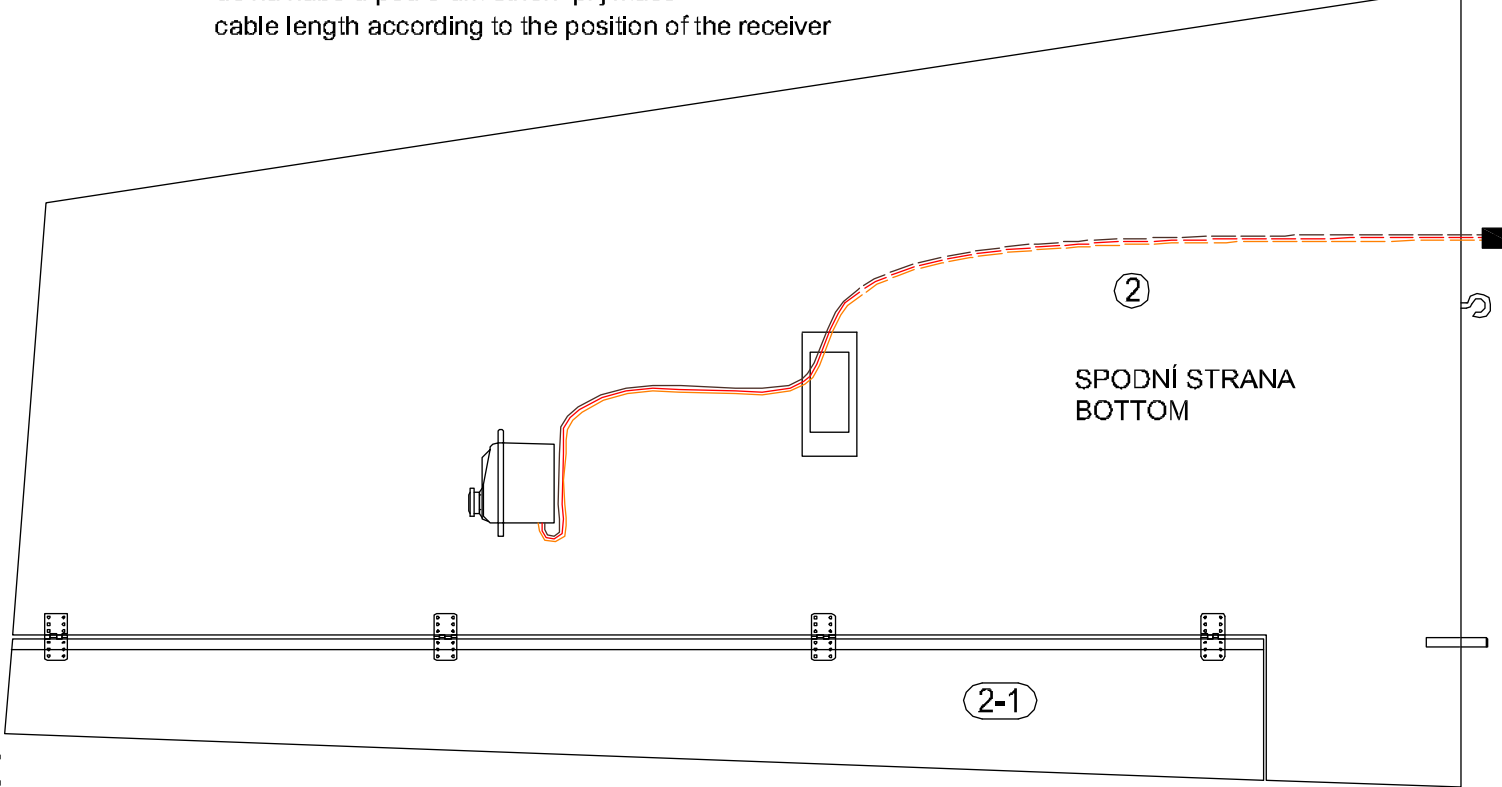
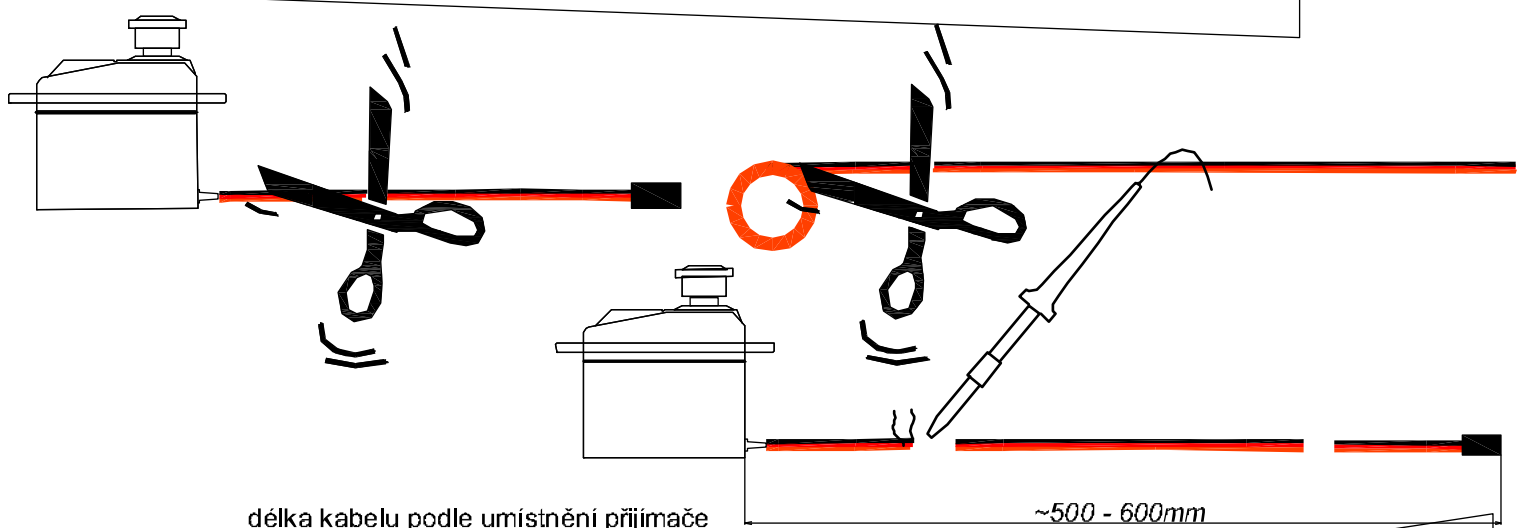
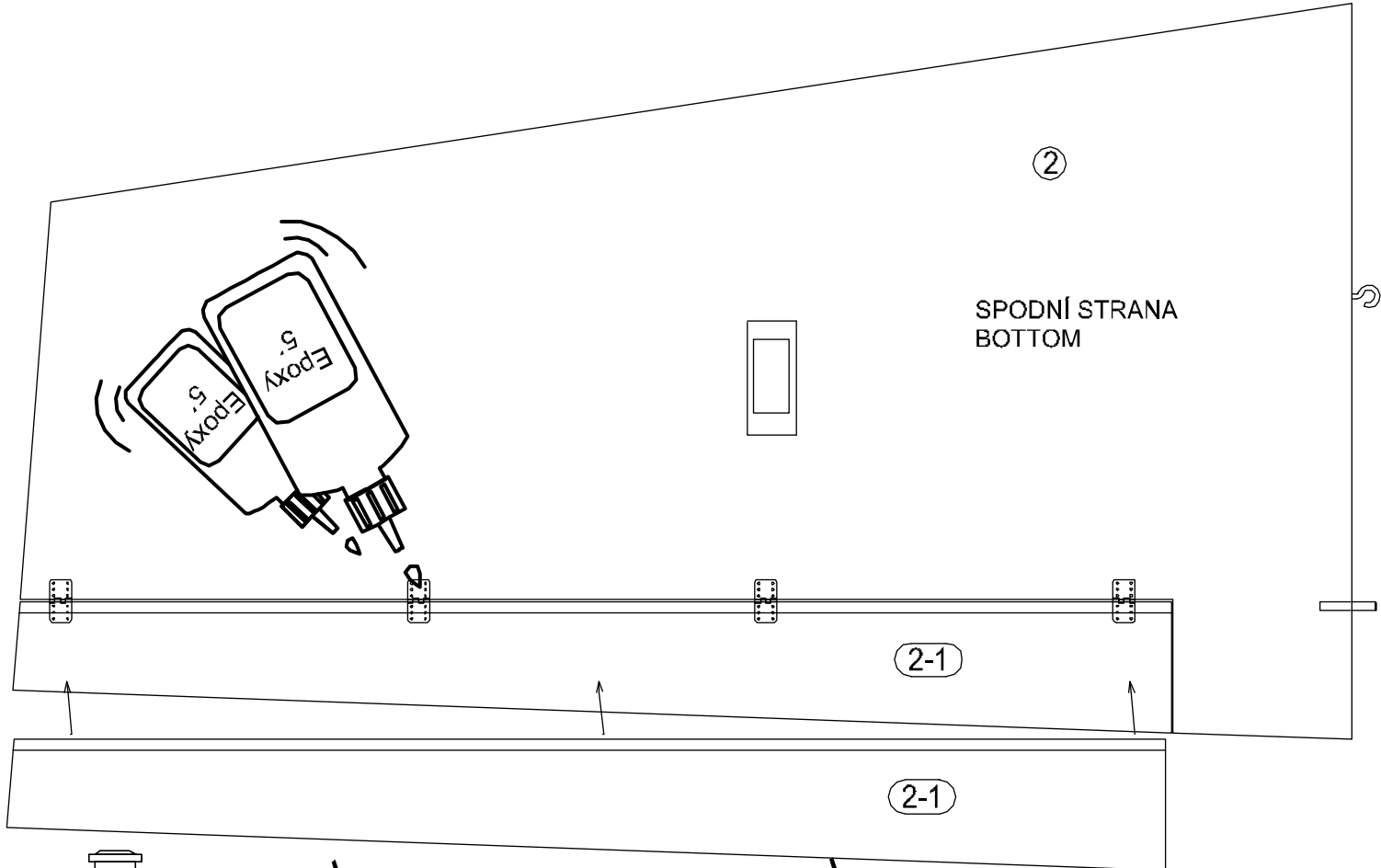
The reparation is possible through the use of hot-air dryer.

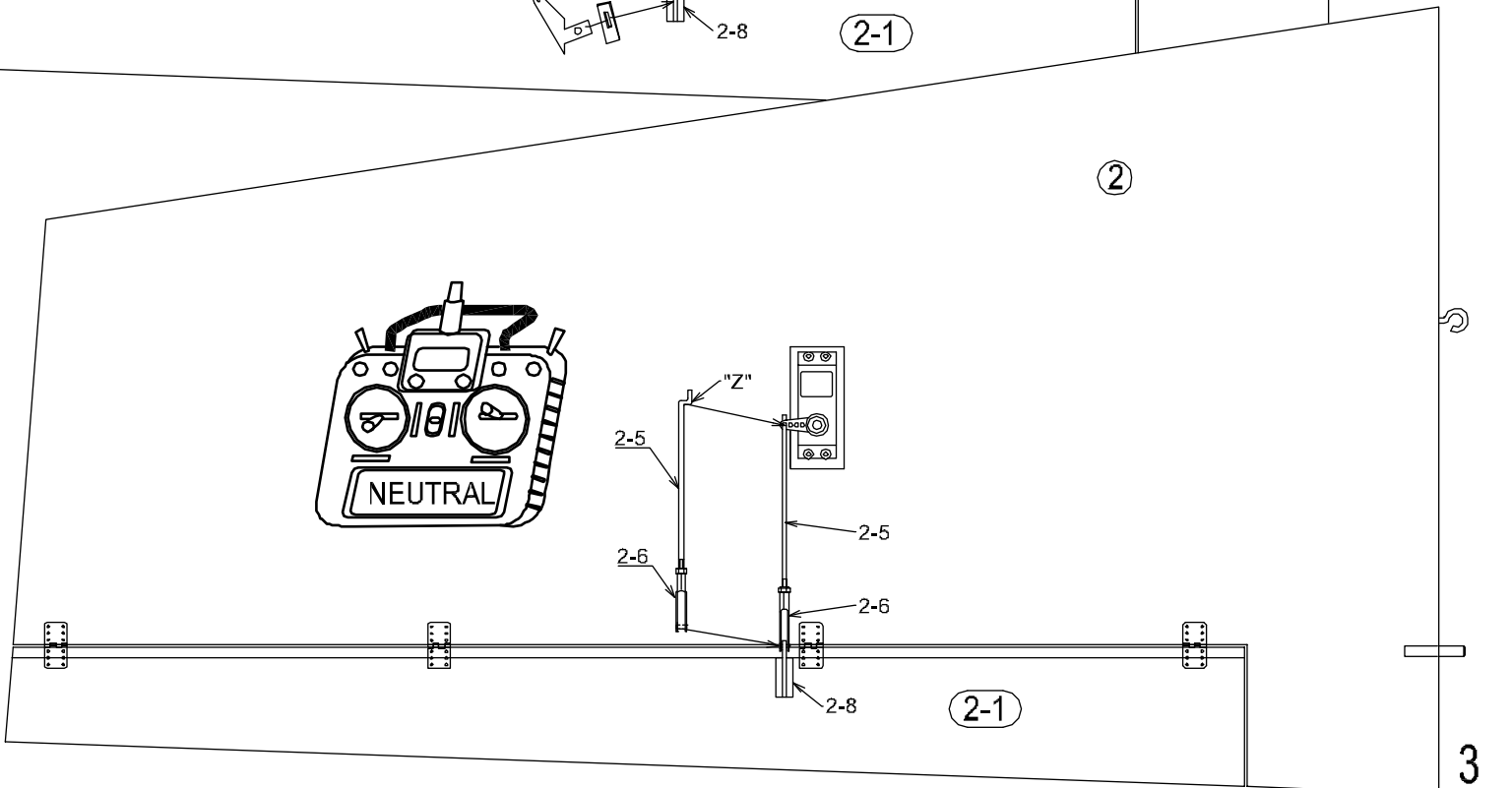
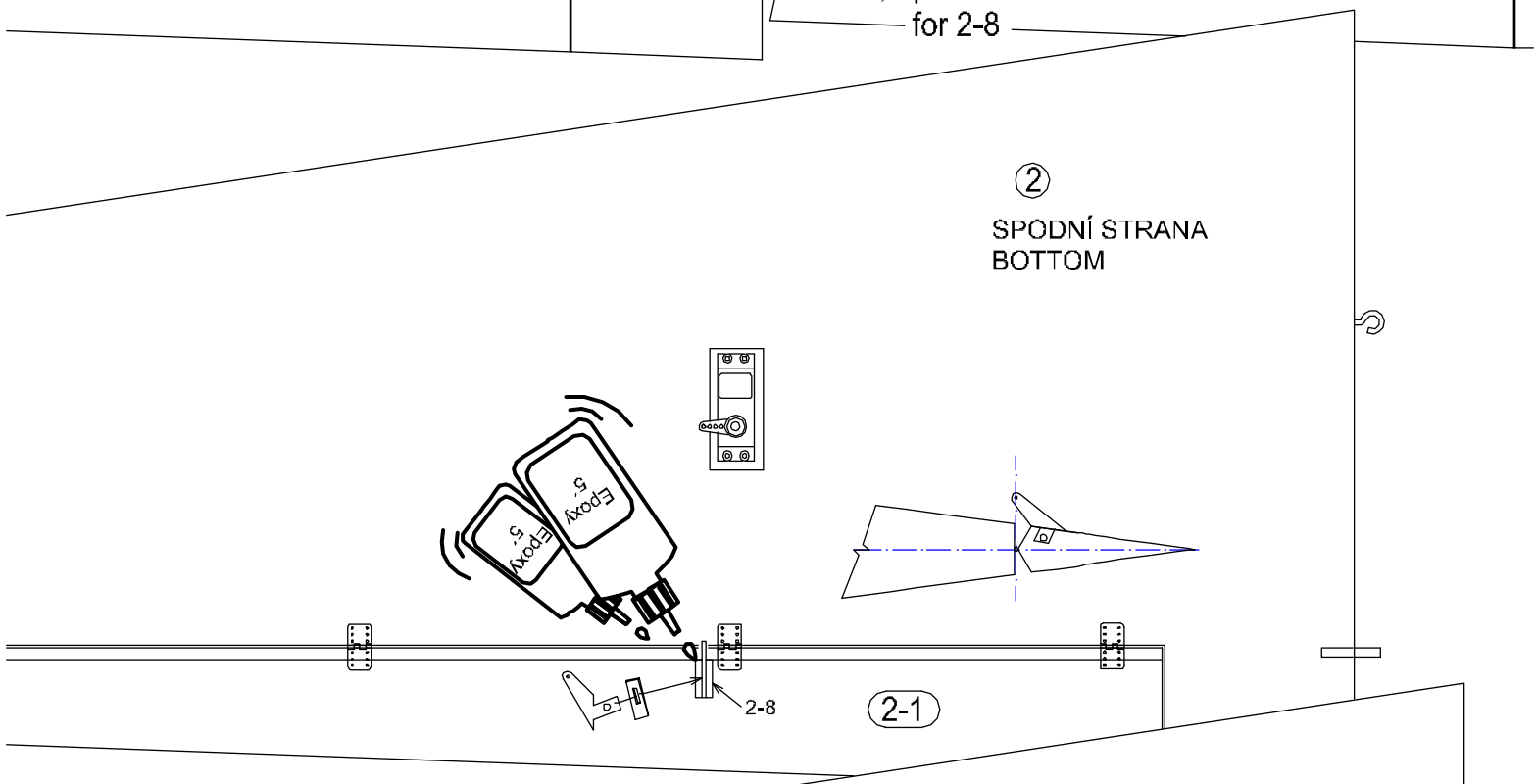
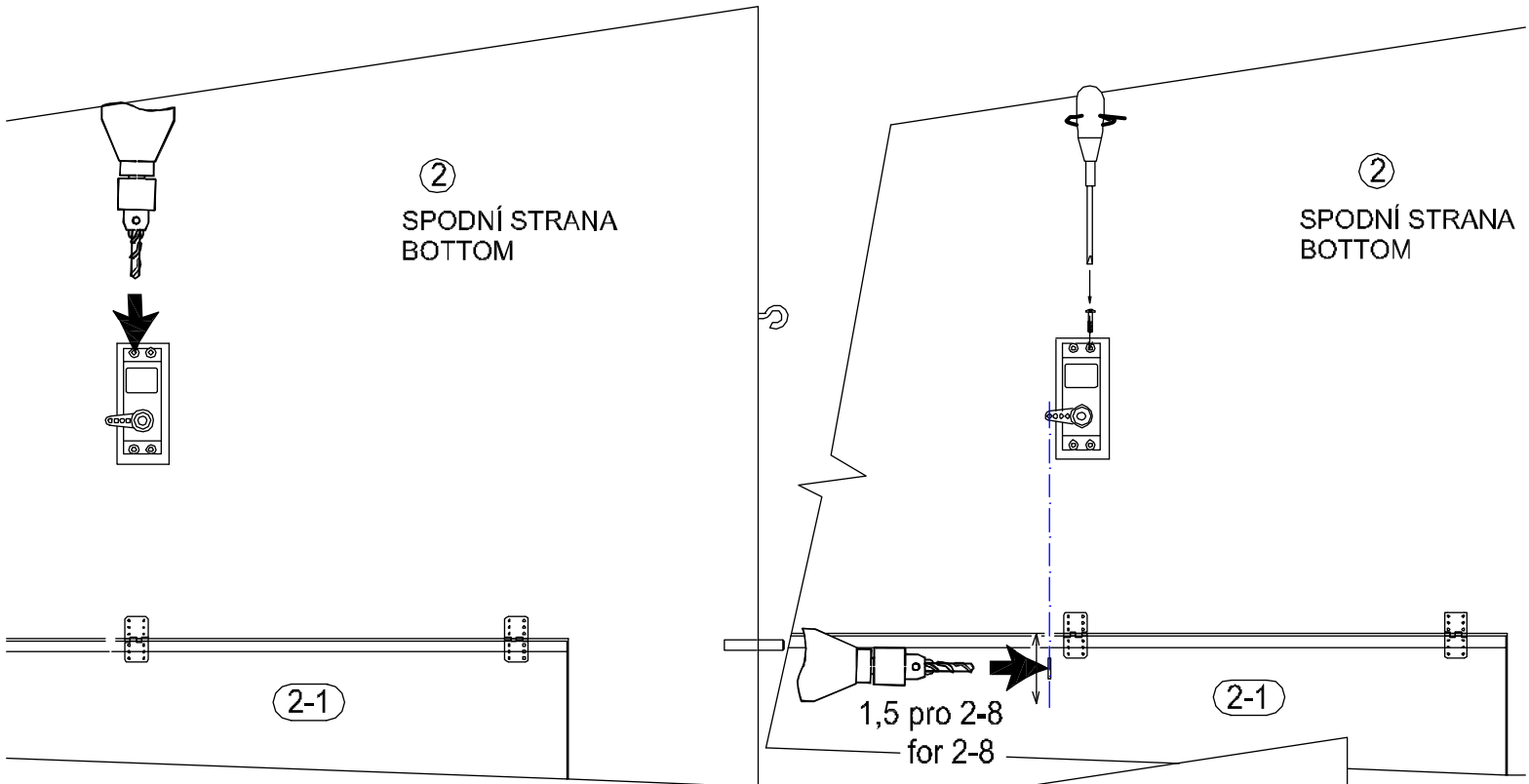


Rebelové Aero

© TOPMODEL CZ Manufactured by TOPMODEL CZ s.r.o. 679 05 HABRŮVKA 100, made in the Czech Republic
 www.topmodelcz.com e-mail: info@topmodelcz.cz







Oracover®

Left & Right side

Left & Right side

Right side

Left side

①

Top

~140

Oracover®

①

Ø3,1 pro 5-2
for 5-2

2x Ø4 pro 5-1
for 5-1

⑤

①

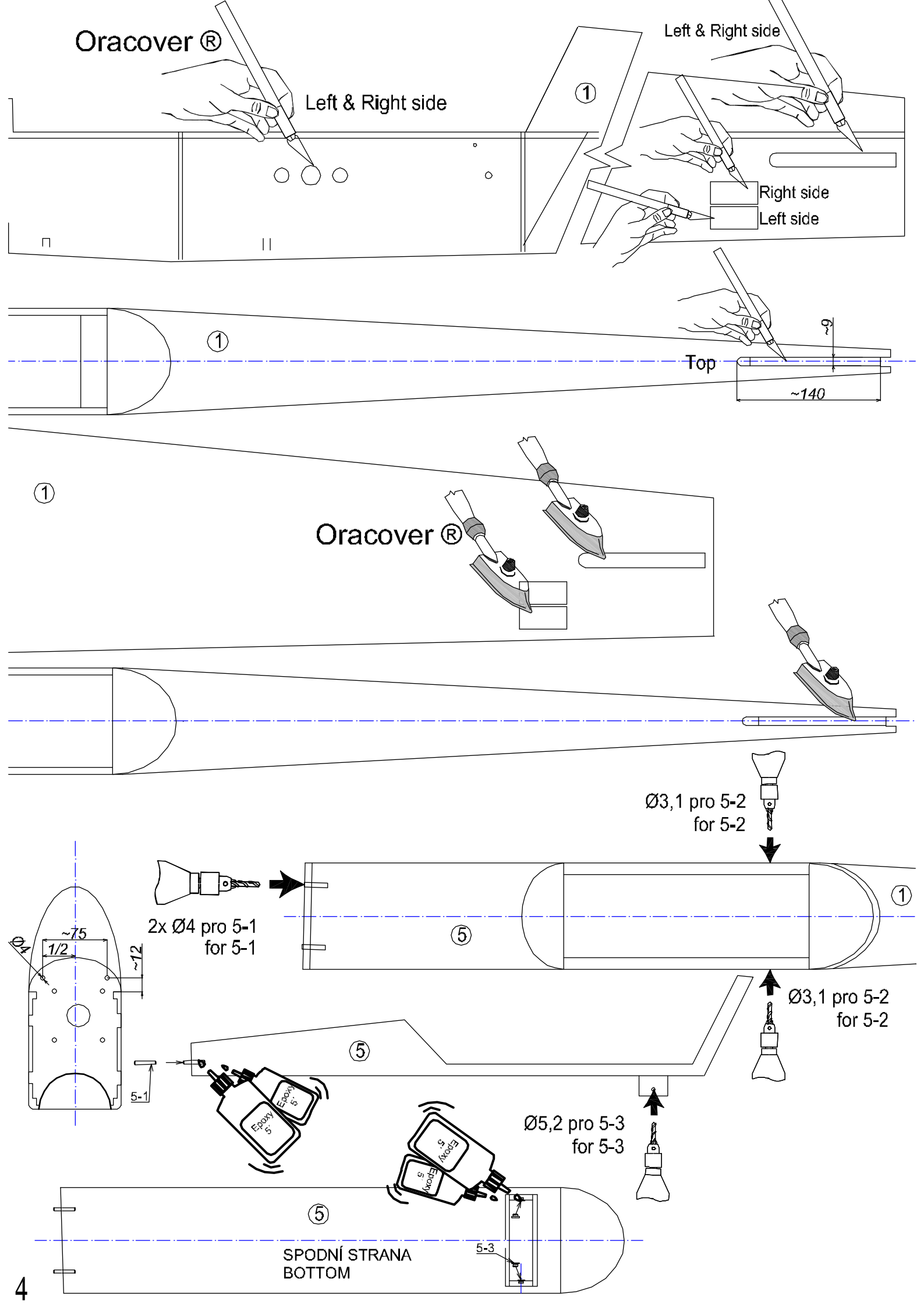
Ø3,1 pro 5-2
for 5-2

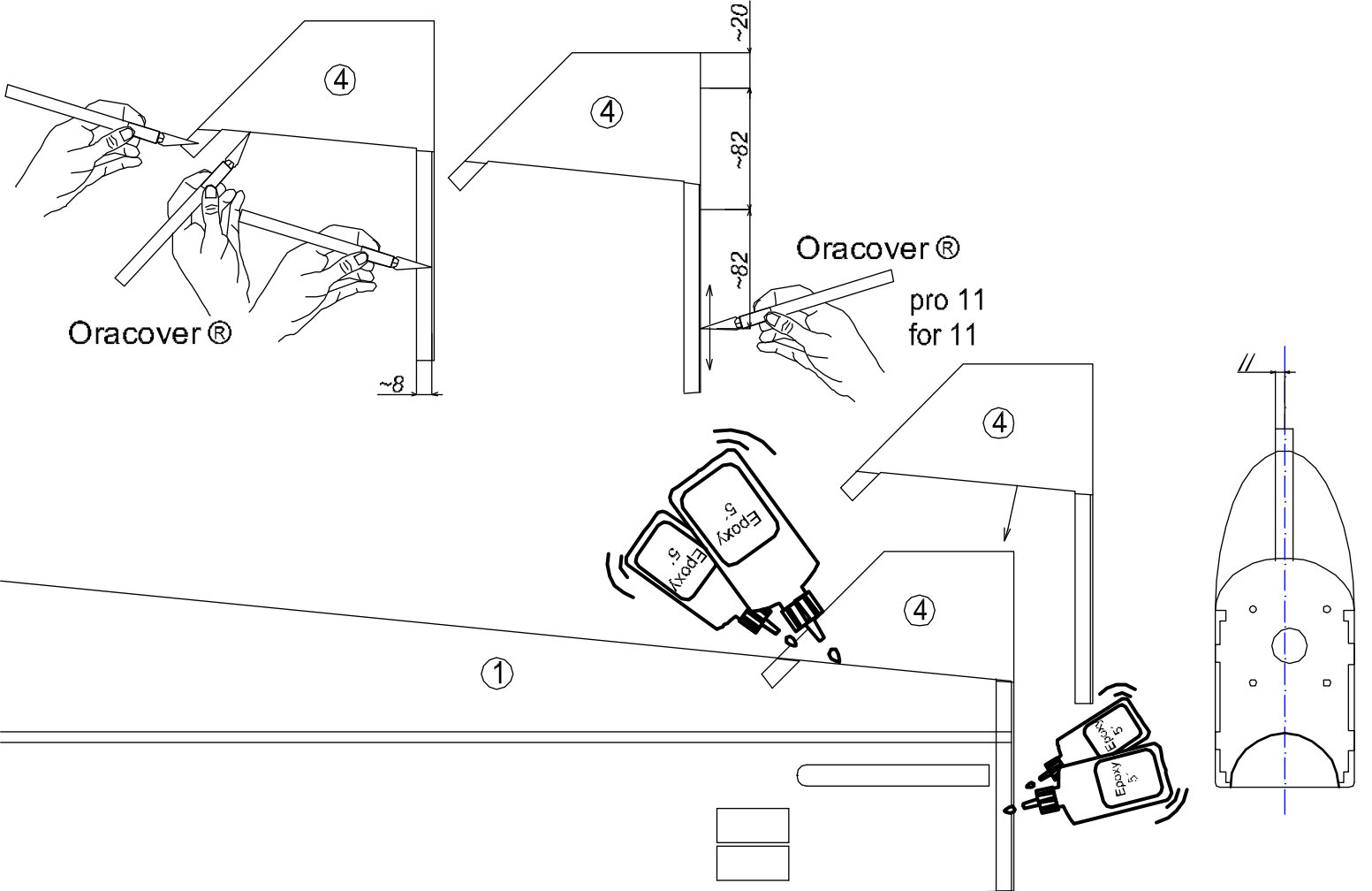
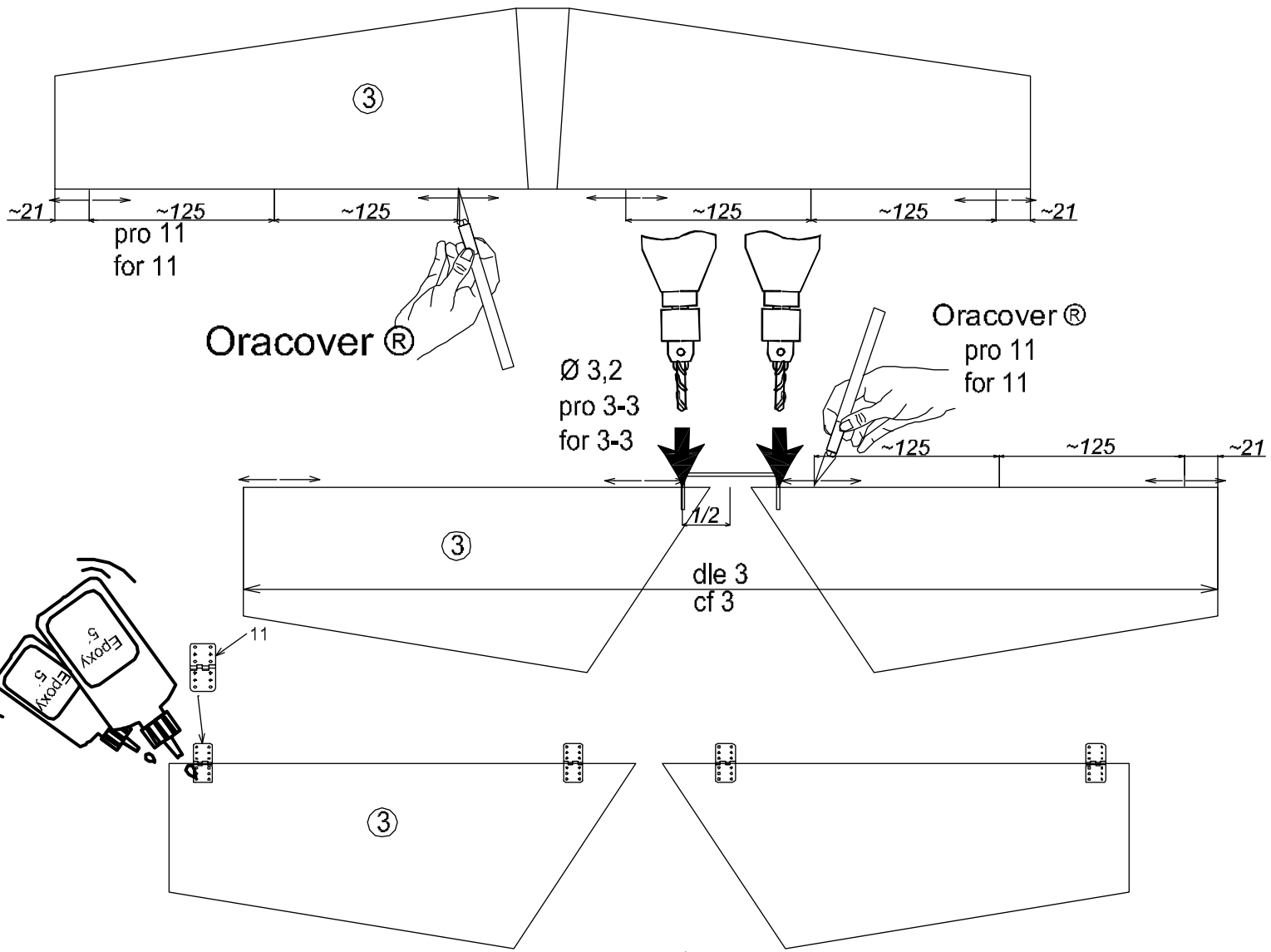
Ø5,2 pro 5-3
for 5-3

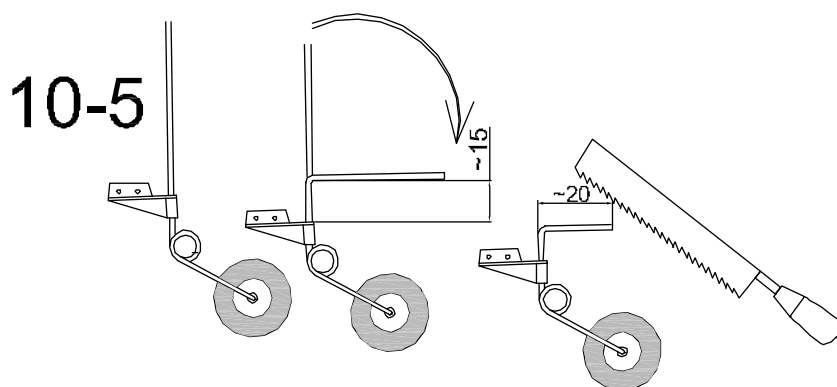
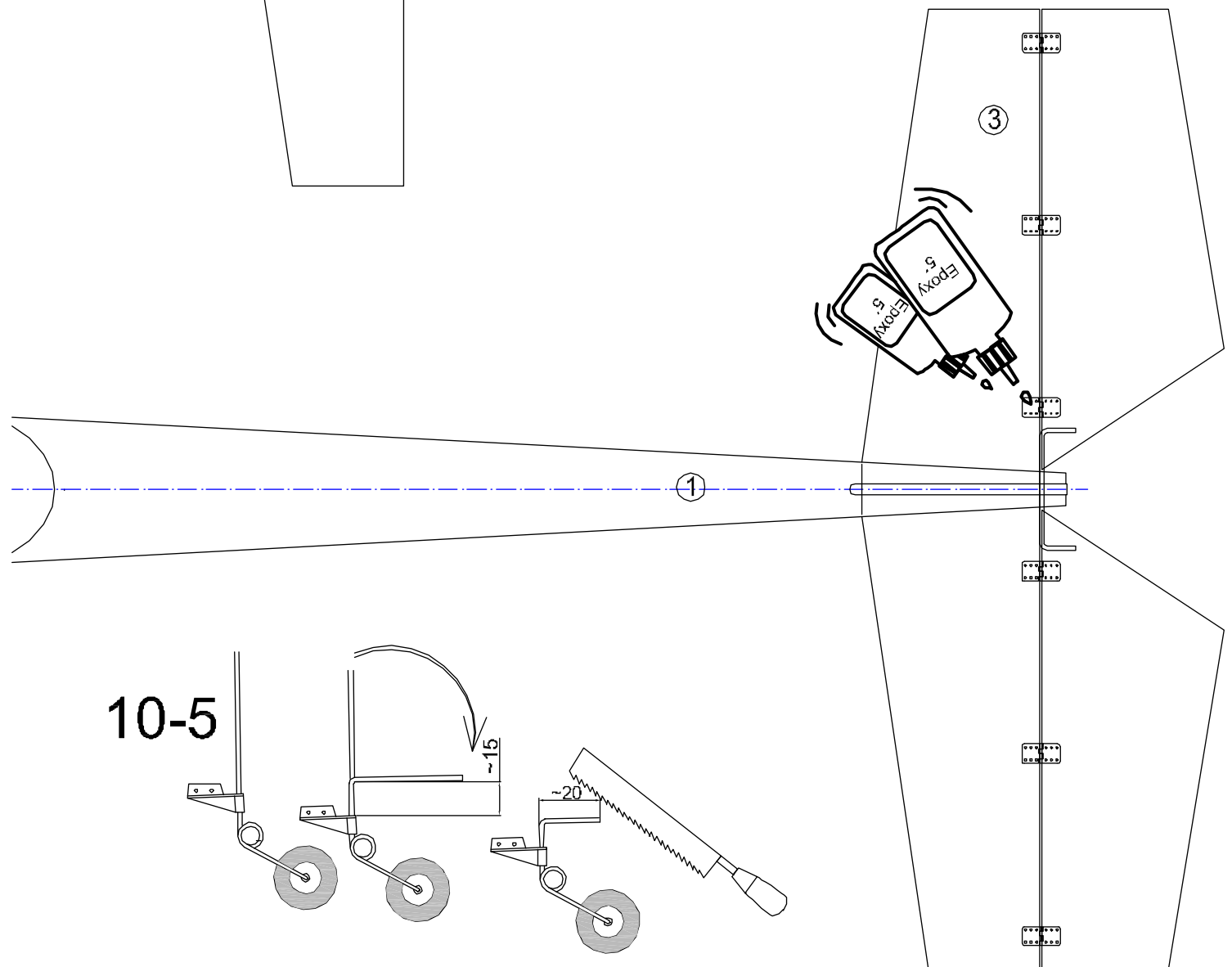
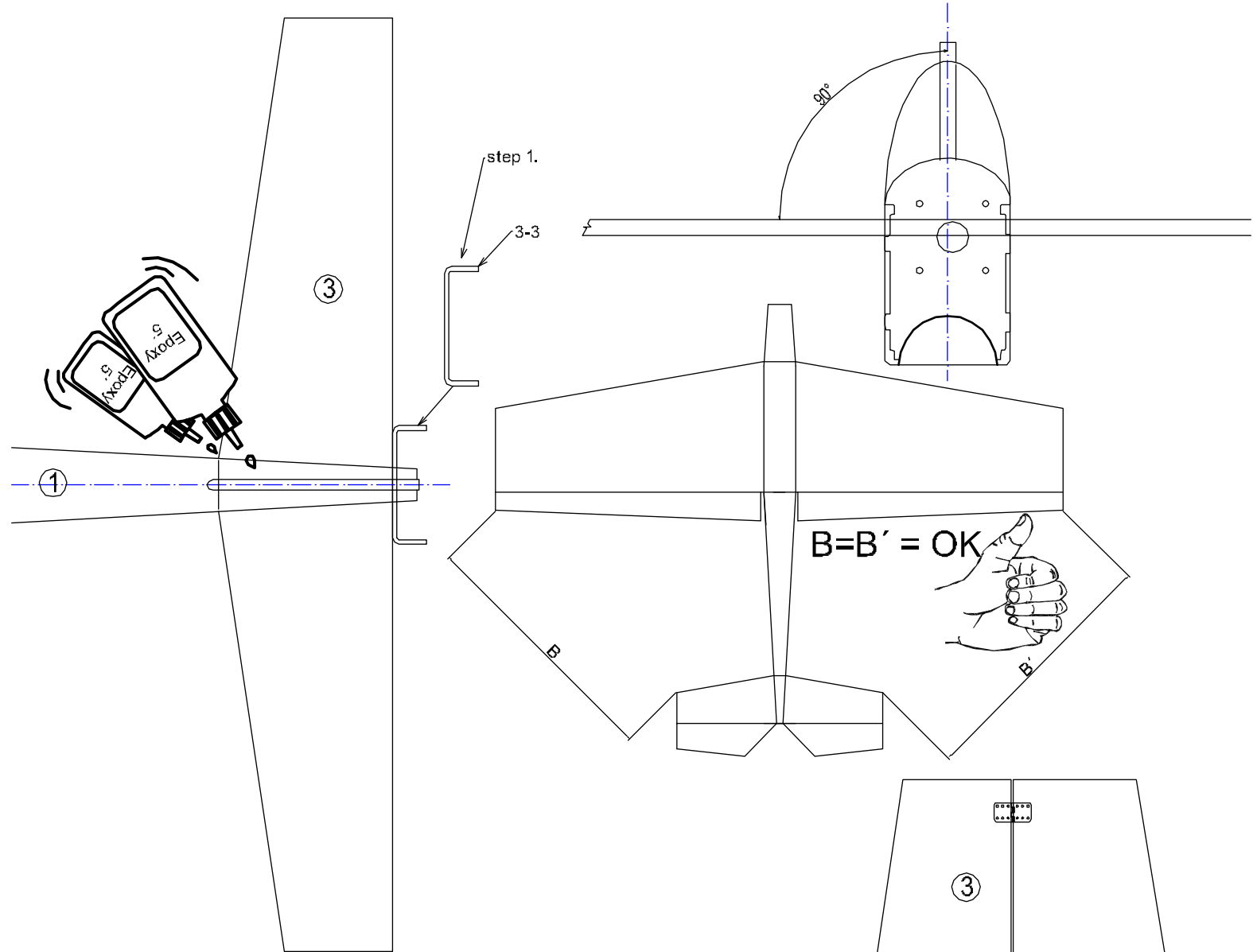
⑤

SPODNÍ STRANA
BOTTOM

5-3







Ø 1,7 - 2x
pro 10-6
for 10-6

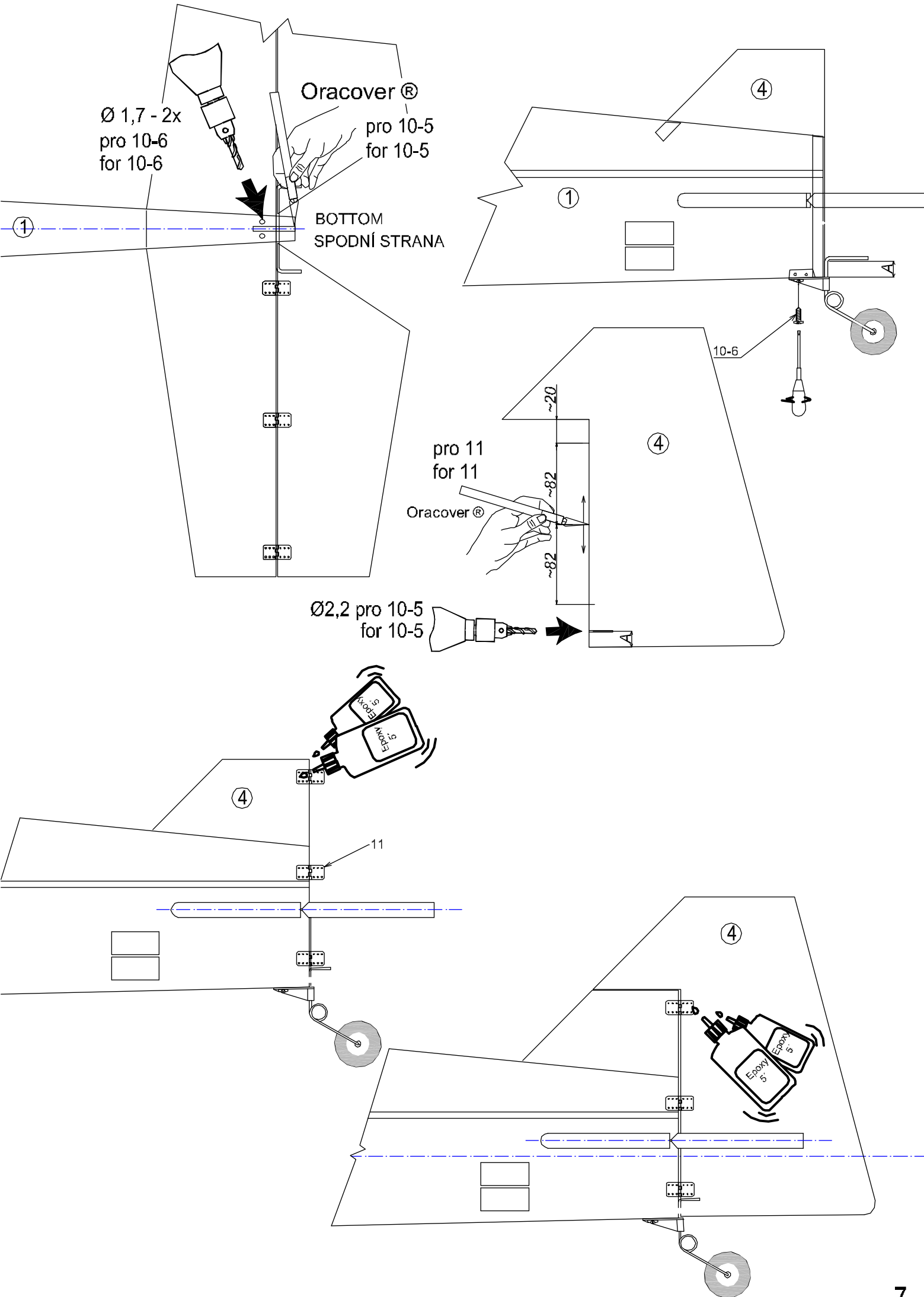
Oracover®
pro 10-5
for 10-5

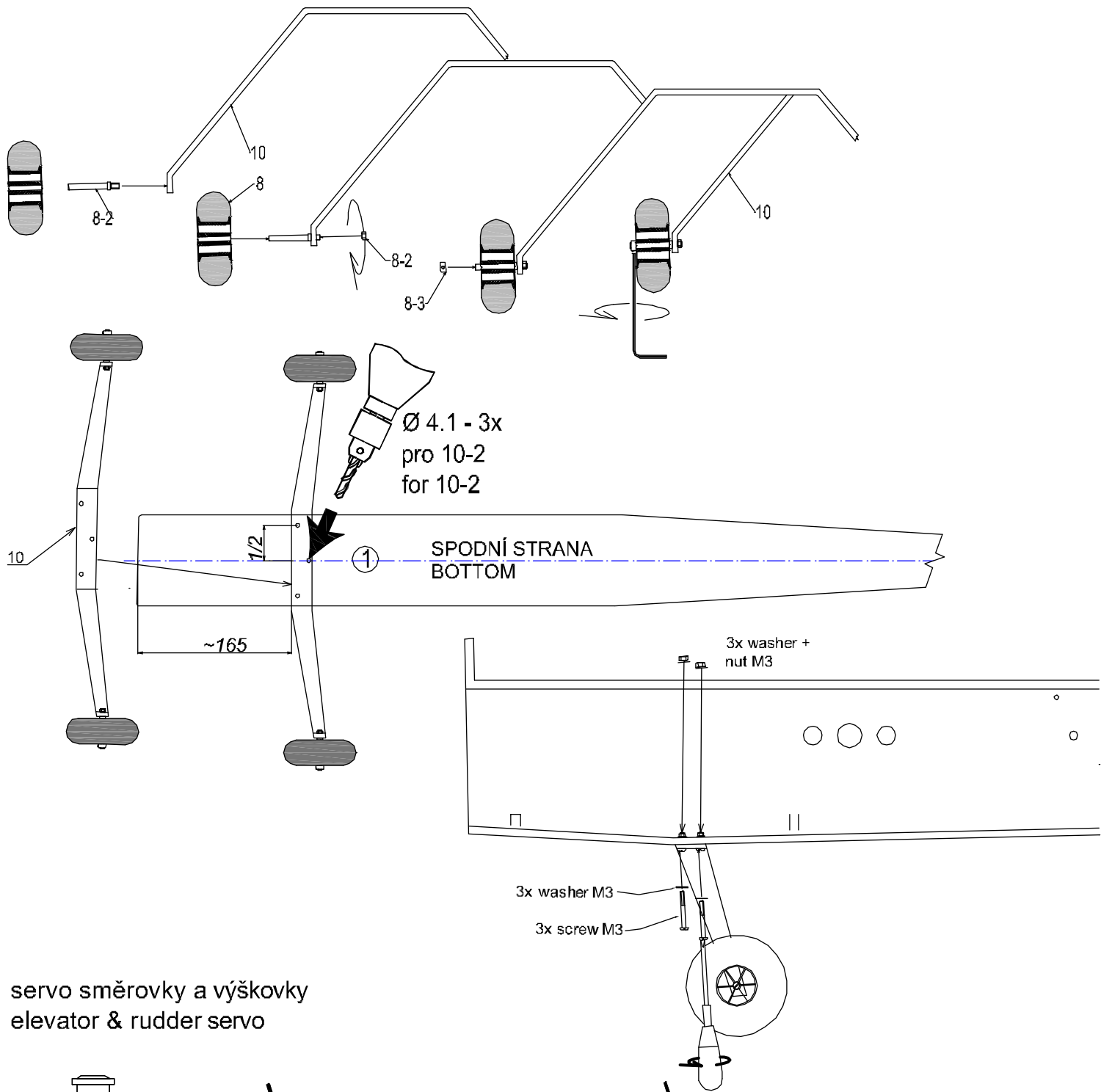
BOTTOM
SPODNÍ STRANA

pro 11
for 11

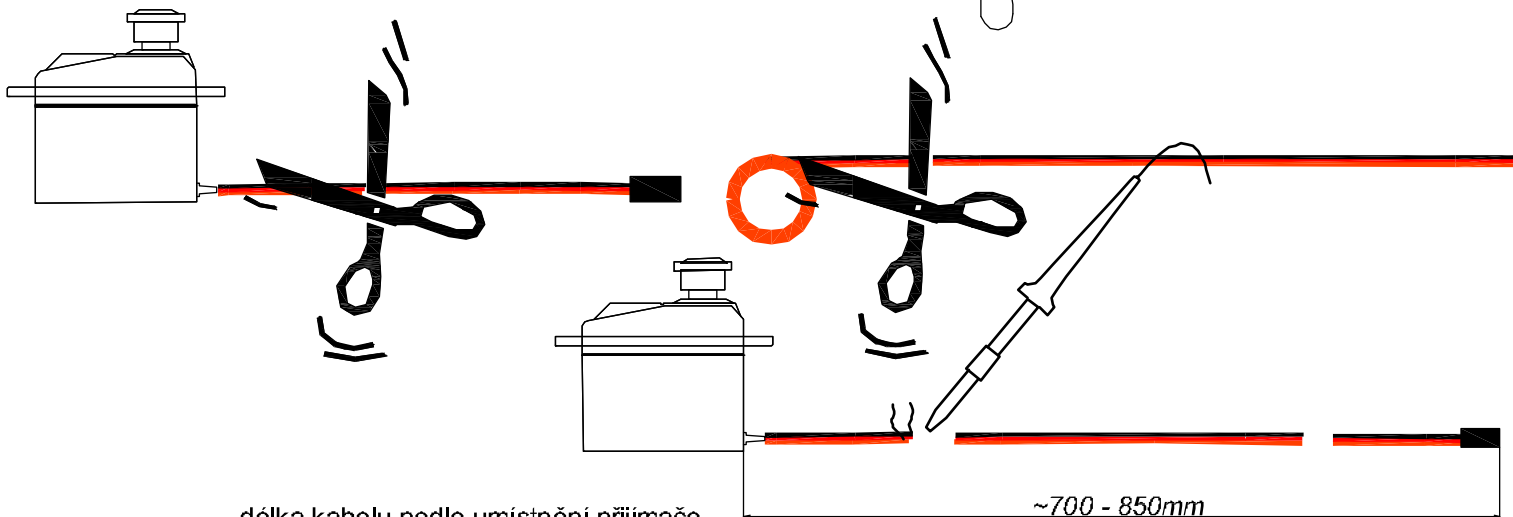
Oracover®

Ø2,2 pro 10-5
for 10-5





servo směrovky a výškovky
 elevator & rudder servo

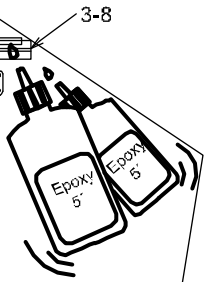


délka kabelu podle umístění přijímače
 cable length according to the position of the receiver

SPODNÍ STRANA
BOTTOM

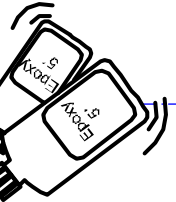
SPODNÍ STRANA
BOTTOM

1,5 pro 3-8
for 3-8



3-8

1,5 pro 4-8
for 4-8



4-8

4

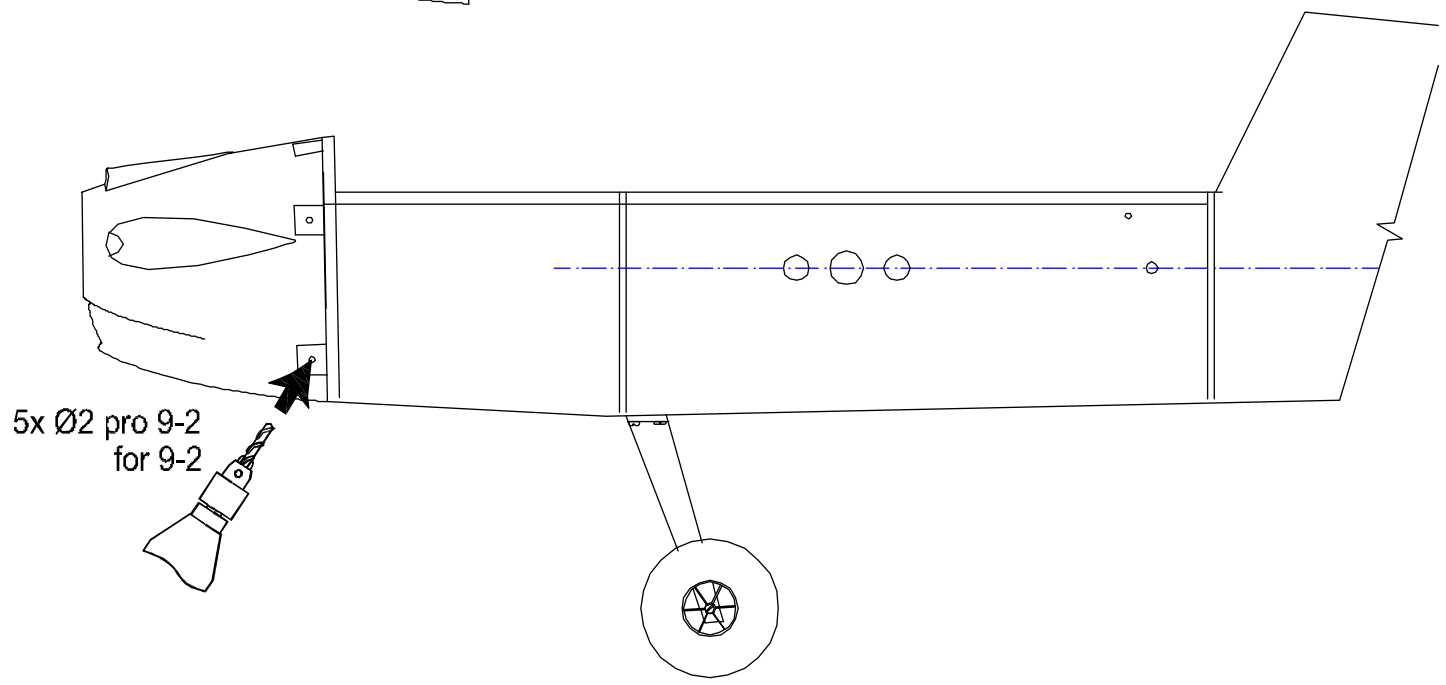
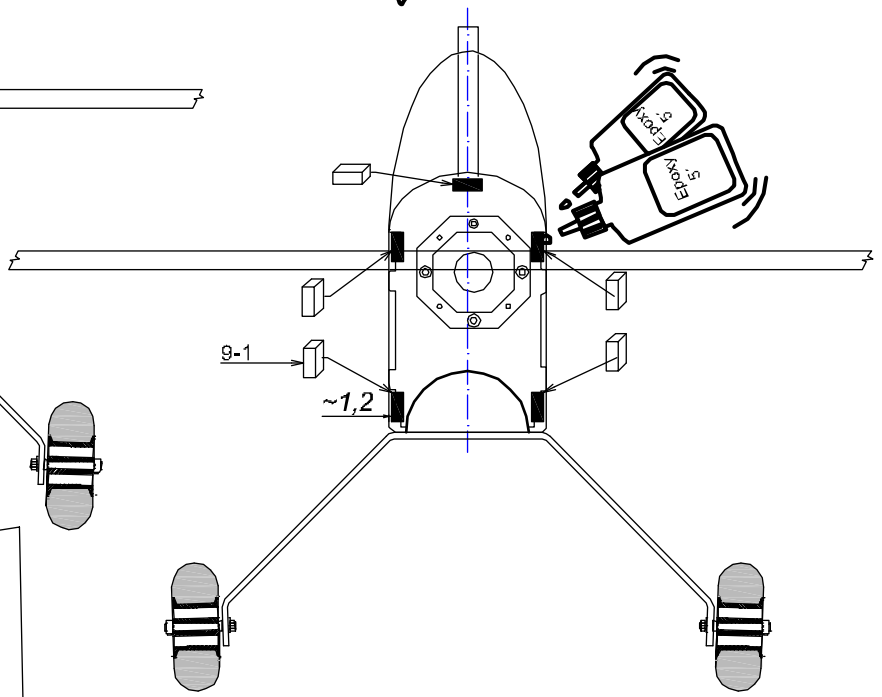
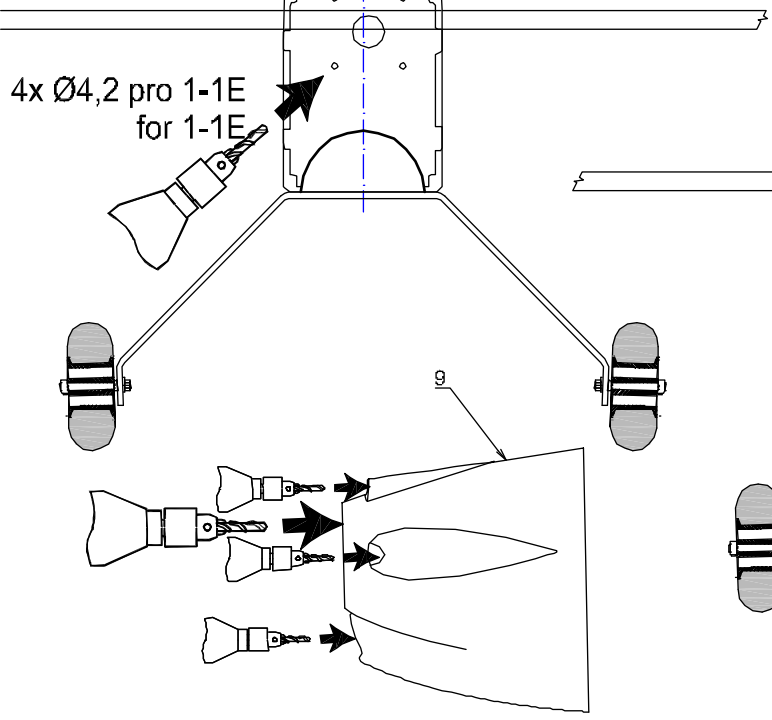
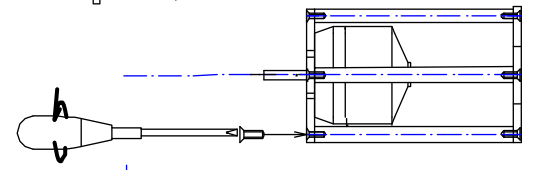
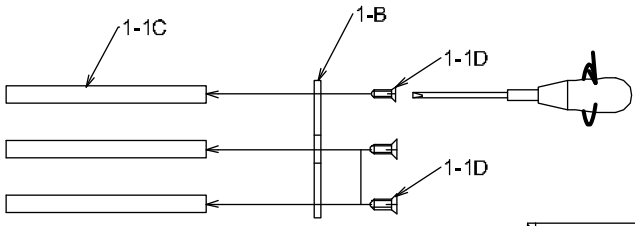
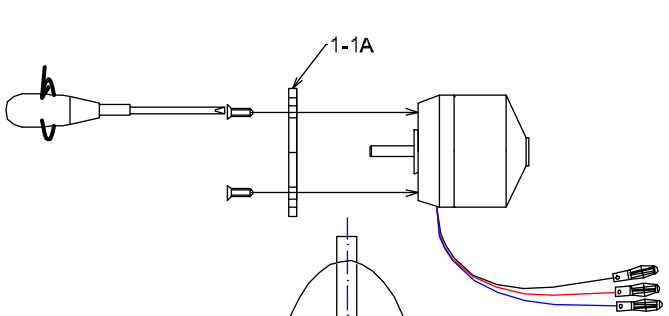
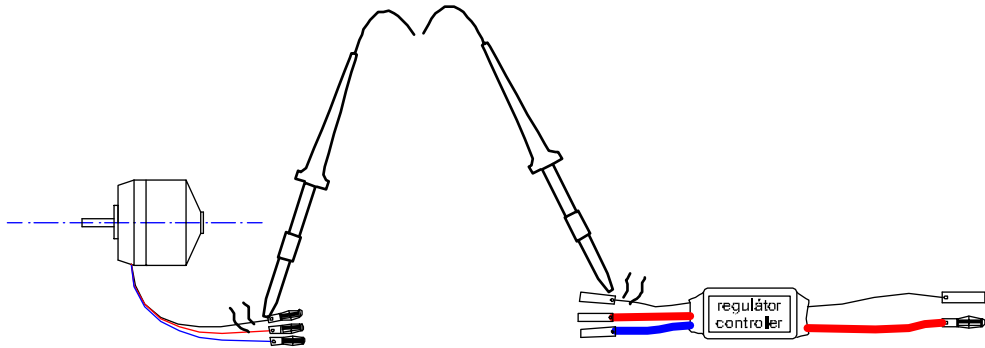
4

4-8

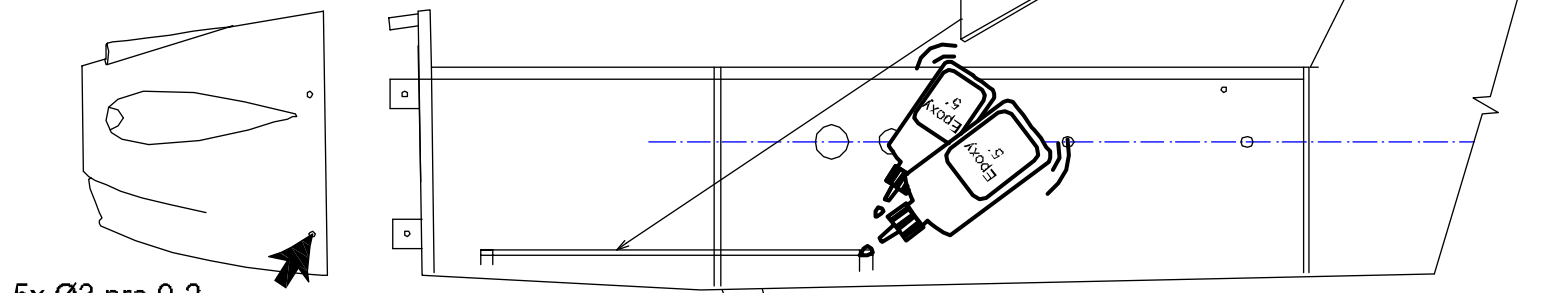
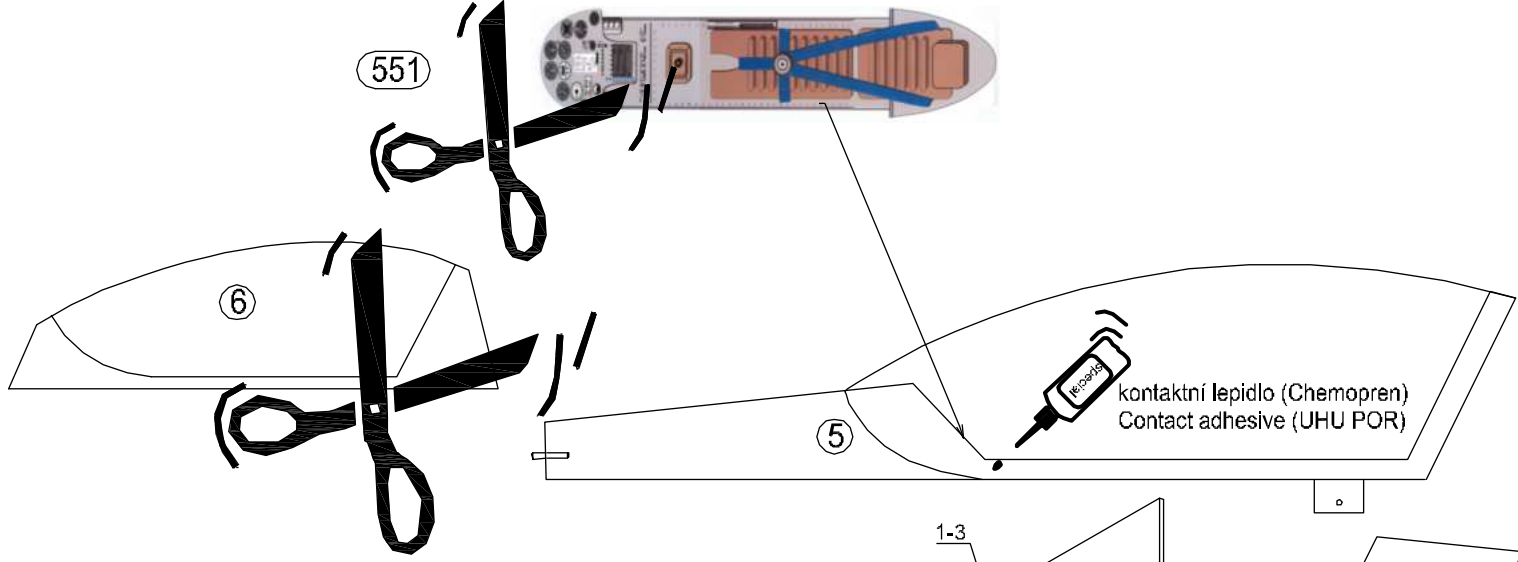
4-5 4-6 + nut

3-6 + nut

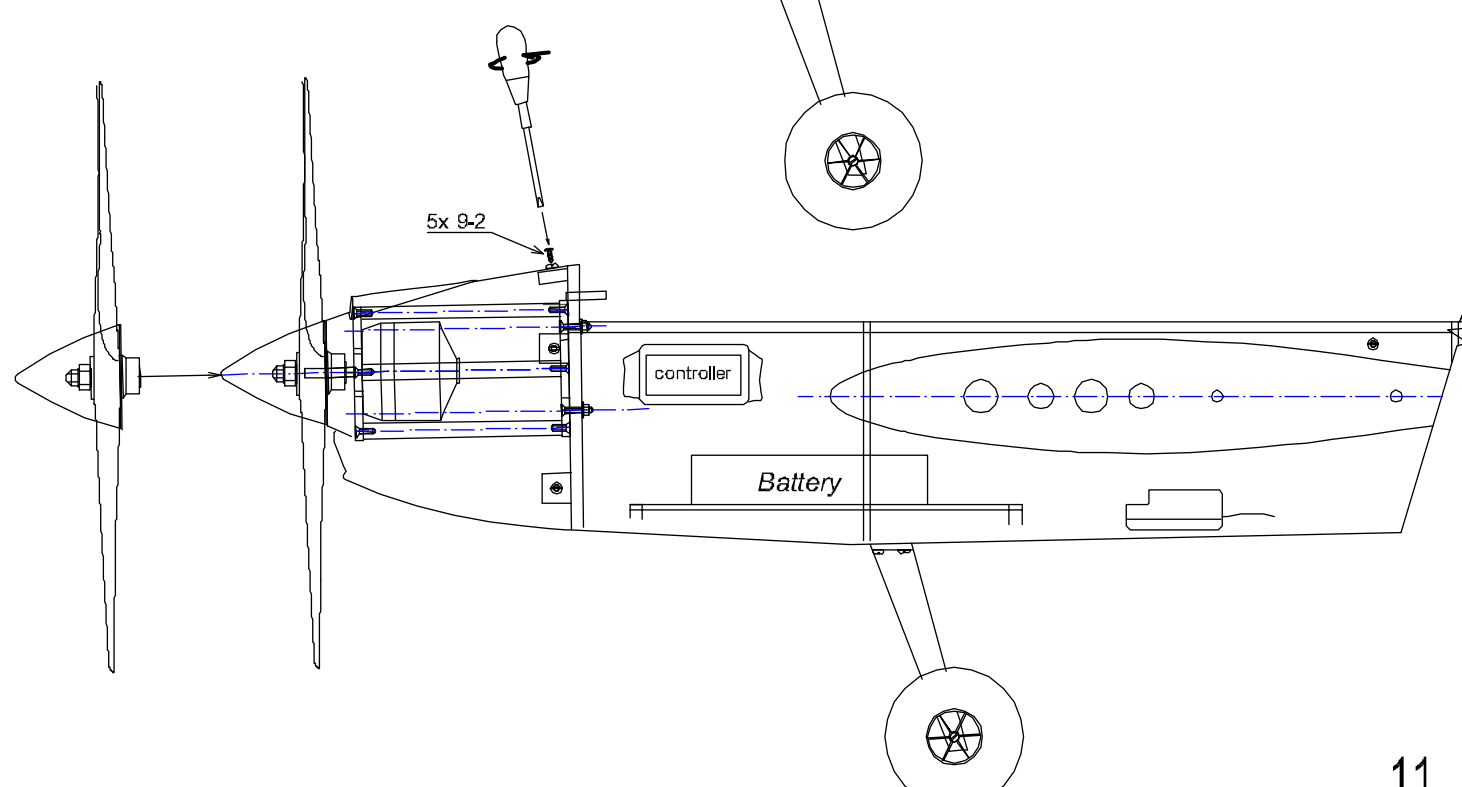
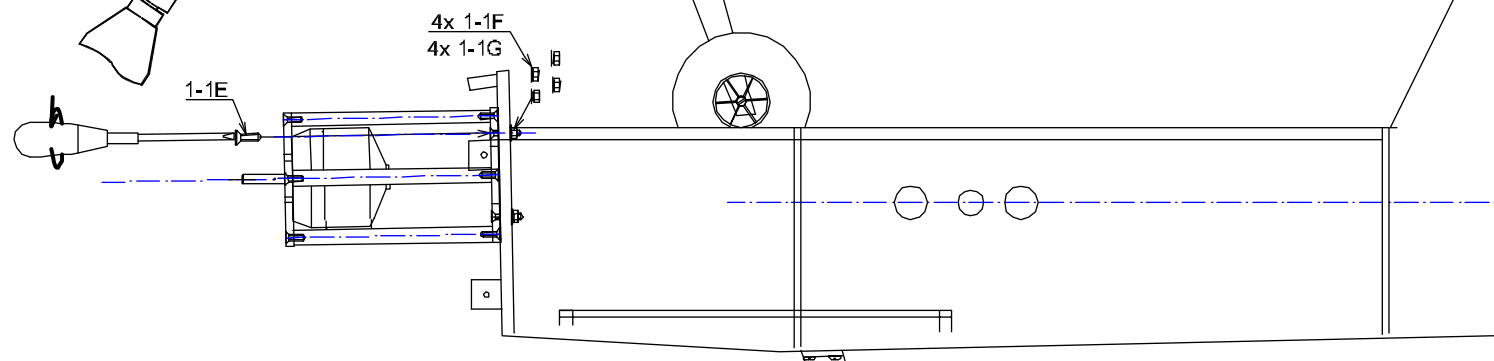
3-5



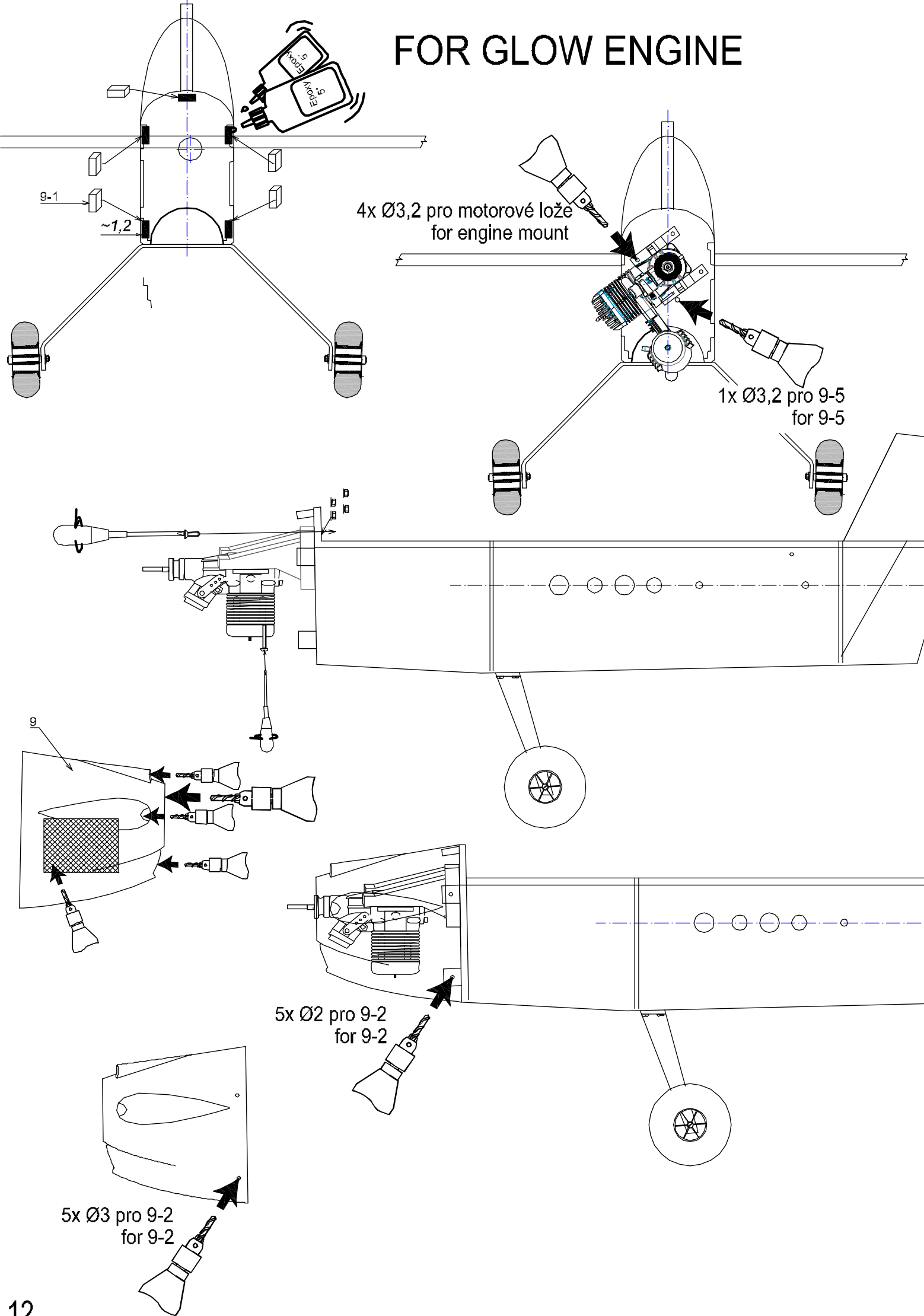
551



5x Ø3 pro 9-2
for 9-2



FOR GLOW ENGINE



FOR GLOW ENGINE

